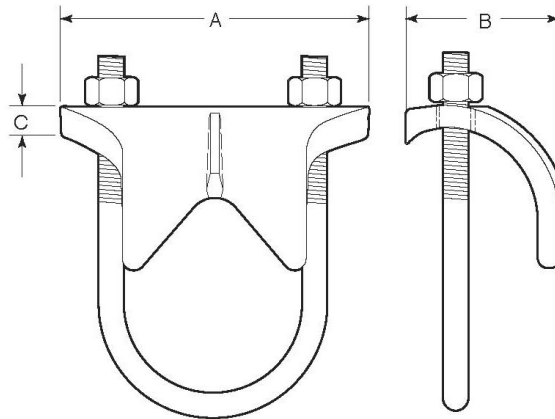
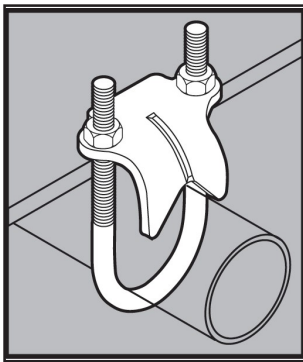


STAINLESS STEEL RIGHT ANGLE CLAMPS



APPLICATION

- Designed to fit rigid conduit/pipe as well as PVC coated conduit
- Used to firmly fix pipe to the flange of a structural member at a 90° angle without drilling holes
- Manufactured in stainless steel to help prevent corrosion
- Can be installed using ordinary hand tools and require little maintenance or repair
- Provided in a bright, polished finish that does not require touch up or painting



PRODUCT DETAILS

Material:

- Saddle: CF8M (316 SS)
- U-Bolt, Hex Nuts: 316 SS

Country of Origin: Product may contain imported component.

Saddle 100% Made in USA; hex nuts and raw material for u-bolt may or may not be of U.S. origin.

Part Number	Size	Weight/ 100 (lbs.)	-----Dimension (in.)-----		
			A	B	C
1050	½ in.	34	2.00	1.63	0.25
1075	¾ in.	35	2.13	1.55	0.25
1100	1 in.	43	2.63	1.63	0.25
1125	1-¼ in.	51	2.88	1.63	0.25
1150	1-½ in.	61	3.36	1.63	0.25
1200	2 in.	96	3.88	1.75	0.31
1250	2-½ in.	125	4.60	1.81	0.31
1300	3 in.	146	5.75	1.81	0.31
1350	3-½ in.	166	6.25	1.81	0.31
1400	4 in.	177	6.19	1.81	0.31
1600	6 in.	351	8.50	2.22	0.32

